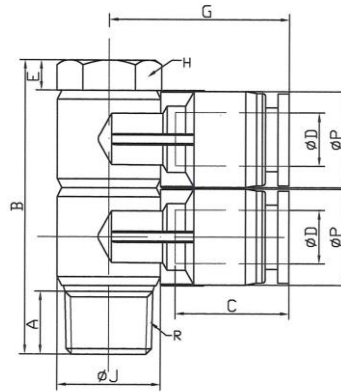


Push-in fittings series manufactured in plastic and nickel-plated brass.
All parts are suitable for use with hoses, tubes or pipes made of plastic and copper.

Working pressure:	-0.95 - 10 bar
Max. working pressure short term:	15 bar*
Temperature range:	-20 °C to 80 °C
Material:	Plastic and nickel-plated brass
Sleeve:	Plastic
Sealing surface:	Parallel version: O-ring in housing Conical version: PTFE thread coating
Medium:	Compressed air*
Sealant:	NBR
Applications:	Compressed air systems, automotive, packaging industry, vacuum
Recommended hose:	PU or PA (nylon)

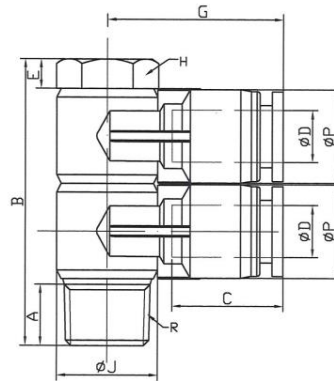


214.018-6



Multiple union elbow with outer hex, 4 outlets, swivel type, parallel male thread with O-ring (NBR)

Art. No.	Type No.	ØD	R	ØP	ØJ	B	C	A	E	H	G	L	F
114594	214.018-4	4	G 1/8	13.0	14.2	39.0	15.5	5.5	4.0	14	24.0	13.0	13.5
109695	214.018-6	6	G 1/8	13.0	14.2	41.0	15.5	5.5	4.0	12	24.0	13.0	13.5
109696	214.018-8	8	G 1/8	14.4	18.2	44.0	18.0	5.5	4.0	14	28.5	12.1	15.0
109697	214.014-6	6	G 1/4	13.0	14.2	43.0	15.5	7.0	4.0	14	24.0	13.0	13.5
109698	214.014-8	8	G 1/4	14.4	18.2	46.0	18.0	7.0	4.0	17	28.5	12.1	15.0
109699	214.014-10	10	G 1/4	18.4	21.8	55.5	22.0	7.0	4.5	19	33.7	14.0	18.8
109700	214.038-10	10	G 3/8	18.4	21.8	56.5	22.0	7.5	4.5	19	33.7	14.0	18.8
109701	214.038-12	12	G 3/8	21.0	28.0	63.5	23.0	7.5	5.5	24	37.5	17.0	21.5
109702	214.012-12	12	G 1/2	21.0	28.0	65.0	23.0	8.5	5.5	24	37.5	17.0	21.5



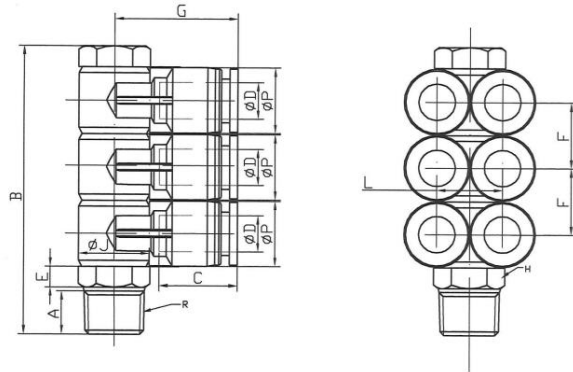
215.018-6

Multiple union elbow with outer hex, 4 outlets, swivel type, conical male thread, coated

Art. No.	Type No.	ØD	R	ØP	ØJ	B	C	A	E	H	G	L	F
109703	215.018-6	6	R 1/8	13.0	14.2	38.5	15.5	7.0	4.0	12	24.0	13.0	13.5
109704	215.018-8	8	R 1/8	13.0	14.2	41.6	15.5	9.0	4.0	14	28.5	13.0	13.5
109705	215.014-6	6	R 1/4	14.4	18.2	40.5	18.0	7.0	4.0	14	24.0	12.1	15.0
109706	215.014-8	8	R 1/4	14.4	18.2	43.6	18.0	9.0	4.0	14	28.5	12.1	15.0
109707	215.014-10	10	R 1/4	18.4	21.8	52.8	22.0	9.0	4.5	19	33.7	14.0	18.8
109708	215.038-10	10	R 3/8	18.4	21.8	53.8	22.0	10.0	4.5	19	33.7	14.0	18.8
109709	215.038-12	12	R 3/8	21.0	28.0	61.0	23.0	10.0	5.5	24	37.5	17.0	21.5
109710	215.012-12	12	R 1/2	21.0	28.0	64.0	23.0	13.0	5.5	24	37.5	17.0	21.5



225.014-8

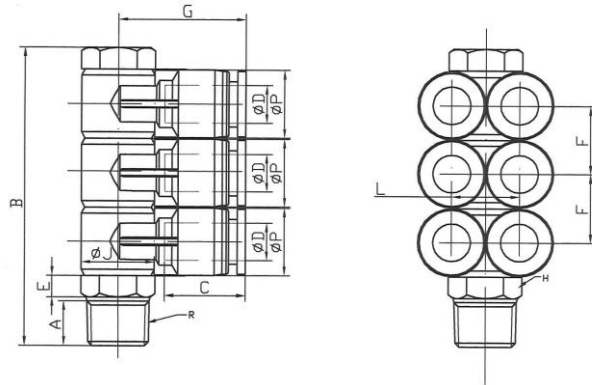


Multiple union elbow with outer hex, 6 outlets, swivel type, parallel male thread with O-ring (NBR)

Art. No.	Type No.	ØD	R	ØP	ØJ	B	C	A	E	H	G	L	F
114595	225.018-4	4	G 1/8	13.0	14.2	67.8	15.5	5.5	4.0	14	22.0	13.0	13.5
109711	225.018-6	6	G 1/8	13.0	14.2	52.3	15.5	5.5	4.0	14	24.0	13.0	13.5
109712	225.018-8	8	G 1/8	14.4	18.2	59.0	18.0	5.5	4.0	14	28.5	12.1	15.0
109713	225.014-6	6	G 1/4	13.0	14.2	54.5	15.5	7.0	4.0	17	24.0	13.0	13.5
109714	225.014-8	8	G 1/4	14.4	18.2	58.7	18.0	7.0	4.0	17	28.5	12.1	15.0
109715	225.014-10	10	G 1/4	18.4	21.8	71.3	22.0	7.0	4.5	19	33.7	14.0	18.8
109716	225.038-10	10	G 3/8	18.4	21.8	72.0	22.0	7.5	4.5	19	33.7	14.0	18.8
109717	225.038-12	12	G 3/8	21.0	28.0	80.6	23.0	7.5	5.5	24	37.5	17.0	21.5
109718	225.012-12	12	G 1/2	21.0	28.0	81.5	23.0	8.5	5.5	24	37.5	17.0	21.5



226.014-8

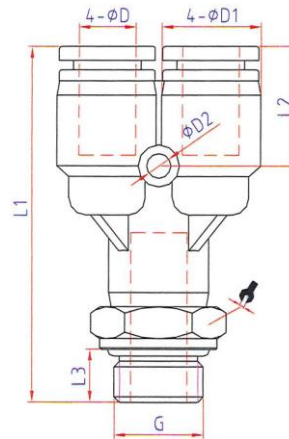


Multiple union elbow with outer hex, 6 outlets, swivel type, conical male thread, coated

Art. No.	Type No.	ØD	R	ØP	ØJ	B	C	A	E	H	G	L	F
109719	226.018-6	6	R 1/8	13.0	14.2	52.0	15.5	7.0	4.0	12	24.0	13.0	13.5
109720	226.018-8	8	R 1/8	14.4	18.2	56.5	18.0	7.0	4.0	14	28.5	12.1	15.0
109721	226.014-6	6	R 1/4	13.0	14.2	54.0	15.5	9.0	4.0	14	24.0	13.0	13.5
109722	226.014-8	8	R 1/4	14.4	18.2	58.5	18.0	9.0	4.0	14	28.5	12.1	15.0
109723	226.014-10	10	R 1/4	18.4	21.8	71.5	22.0	9.0	4.5	19	33.7	14.0	18.8
109724	226.038-10	10	R 3/8	18.4	21.8	72.5	22.0	10.0	4.5	19	33.7	14.0	18.8
109725	226.038-12	12	R 3/8	21.0	28.0	72.5	23.0	10.0	5.5	24	37.5	17.0	21.5
109726	226.012-12	12	R 1/2	21.0	28.0	75.5	23.0	13.0	5.5	24	37.5	17.0	21.5



216.014-6

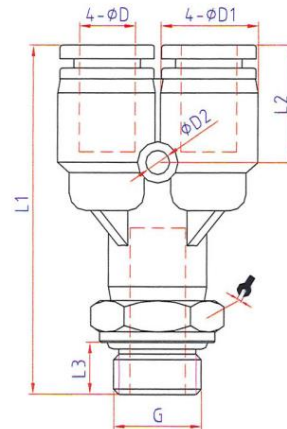


Distributor with male thread, 4 outlets, swivel type, parallel male thread with O-ring (NBR)

Art. No.	Type No.	ØD	Thread	L3	ØD1	ØD2	L	L1	L2	a/f
135720	216.005-4	4	M5	4.0	10.5	3.2	10.5	39.5	14.0	10
135721	216.005-6	6	M5	4.0	12.5	3.2	13.0	41.5	14.0	12
109785	216.018-4	4	G 1/8	5,5	11,3	3,2	11,0	42,5	15,0	12
109786	216.018-6	6	G 1/8	5,5	13,3	3,2	13,0	43,6	15,5	14
109787	216.014-4	4	G 1/4	7,5	11,3	3,2	11,0	44,0	15,0	12
109788	216.014-6	6	G 1/4	7,5	13,3	3,2	13,0	45,1	15,5	14



217.014-6

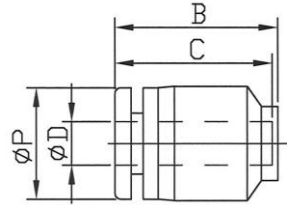


Distributor with male thread, 4 outlets, swivel type, conical male thread, coated

Art. No.	Type No.	ØD	Thread	L3	ØD1	ØD2	L	L1	L2	a/f
109789	217.018-4	4	R1/8	7.5	11.3	3.2	11.0	42.0	15.0	10
109790	217.018-6	6	R1/8	7.5	13.3	3.2	13.0	43.6	12.6	12
109791	217.014-4	4	R1/4	9.5	11.3	3.2	11.0	45.0	15.0	14
109792	217.014-6	6	R1/4	9.5	13.3	3.2	13.0	46.1	15.5	14



184.016

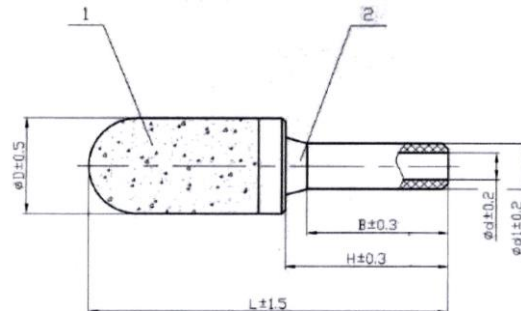


Cap

Art. No.	Type No.	ØD	ØP	B	C
109931	184.003	3	10.0	16.0	15.5
109932	184.004	4	10.0	16.0	15.5
109933	184.006	6	13.8	20.0	18.0
109934	184.008	8	13.8	21.0	18.0
109935	184.010	10	16.8	22.0	19.3
109936	184.012	12	19.8	23.0	21.0
109937	184.016	16	23.8	25.0	21.0



566.010



Silencer with push-in plug

Only recommended for use in combination with quick connectors of the »Blue series«. Suitability testing for use with other series is the responsibility of the user.

Material: Plastic

Art. No.	Type No.	D	d	d1	B	H	L
109938	566.006	12.5	3.5	6	18.7	21.5	46.5
109939	566.008	13.5	5.0	8	15.5	20.1	45.0
109940	566.010	15.5	7.0	10	24.5	27.0	58.0
109941	566.012	18.5	8.5	12	26.5	28.7	81.5

* The suitability test for the use with alternative specifications is the user's responsibility.